

Your new shopping caddy

General

The max is a high-quality goods transporter designed and constructed in accordance with the latest ergonomic and technical safety information..

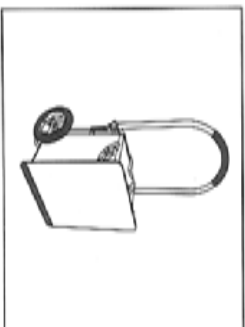
These instructions describe the assembly and normal use, and provide important information for your safety.

Note:

Read these instructions for use thoroughly and completely, particularly the chapter "Safety information", which describes the safe use of your shopping caddy and how to avoid accidents and defects.

Keep these instructions for use in a handy place where they are always accessible to all users.

"max"



Normal use

- The shopping caddy max may only be used for the transport of goods.

1

The manufacturer permits the transport of:

- Goods up to a total trailer weight of 40 kg. When transporting goods, position the load centrally over the trailer axle and, where possible, secure it.
- No children are to be transported in the box with the goods
- The weight of the caddy itself is ca. 7 kg.
- Towing with a motor-driven vehicle is prohibited.

Warning: The maximum permissible weight of 40 kg is on no account to be exceeded.

Inappropriate handling, further modifications and the mounting of add-on parts of any kind to the caddy are strictly forbidden unless expressly approved by the manufacturer. Parts which are screw mounted by the manufacturer may only be removed or replaced by the factory or an authorised tradesman. The manufacturer waives all responsibility and liability for accidents and defects of any kind which are caused by abnormal use.

Additional equipment

An extensive range of accessories is available for the max. Contact your dealer.



2

Safety information

Read the following safety information carefully:

Concerning the utilisation of shopping caddies and the transport of goods, please observe the legal regulations and recommendations applicable in the country in which the shopping caddy is being used.

If you wish to undertake cross-border excursions or journeys, acquaint yourself as well with the national specifications of the other countries.

Attention, risk of accidents! To avoid accidents and life endangering situations, the following safety regulations must be complied with:

- To minimise the risk of accidents and injury, children in particular must be instructed in the handling of the shopping caddy.
- Never leave children unsupervised.
- To guarantee rollover protection, heavy goods must be stowed as low down in the box as possible.
- In strong sunlight and with the cover closed, the box interior can overheat and have a dangerous effect on the contents.
- We recommend that the cover be closed at all times to prevent the ingress of spray and loose objects.
- There is an increased risk of tipping over when negotiating bends.
- Use only the beccoo® coupling system for towing.
- Keep your shopping caddy safe on escalators by holding it close to yourself with at least one hand.
- To ensure correct "raising" and "lowering" of the box, always use both hands for these actions.

Check that the snap-in fixing element is correctly engaged!



3

Operational reliability

To guarantee reliable operation even after years of service, the following instructions must be complied with:

- Have your trailer inspected by a specialist workshop periodically, and in any case at least every three years.
- Aluminium parts are easily deformed and susceptible to splitting. Replace any damaged aluminium parts straightaway.

Risk of fracture: Never attempt to straighten deformed or bent aluminium parts!

- Plastic parts can become brittle due to the effects of weathering. Replace torn-off or damaged parts immediately.
- Have corroded steel parts replaced at once.

Road behaviour

Shopping caddies behave differently when negotiating bends. We advise you to undertake a few road tests before making your first shopping expedition.

■ Increased risk of tipping over when negotiating bends

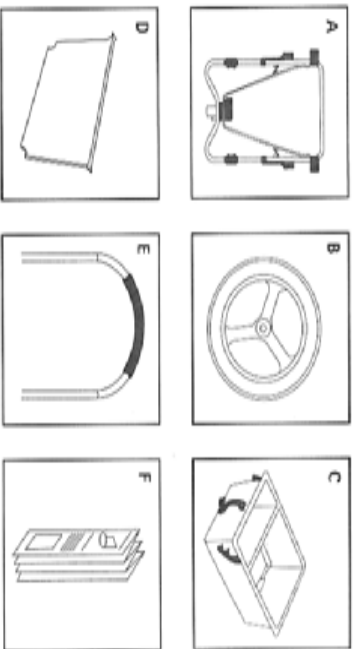
To avoid having the Shopping Caddy Jack-knife or even overturn, drive cautiously. Adapt your speed to the terrain, especially when going downhill.

4

Scope of supply

Model max

Designation	Quantity
A Chassis	1
B 10" wheel	2
C Box	1
D Separating element	1
E Bumper bar	1
F Instructions for use	1



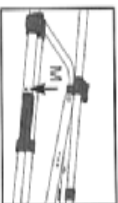
After unpacking, check that all items are present and undamaged.

5

Assembly

Chassis

Place the chassis upsidetdown on a table or a level supporting surface.
 Take the bumper handle and introduce it through the handle clamp. Push these along the longitudinal guides as far as the stop. Now use the supplied screws "M" to mount the bumper bar.



Wheel

Take the wheels and introduce them into the corresponding axle holes at the wheel bearing.
 Secure the wheel by pressing in the spring plate until you hear it click into place. Check that the wheel is securely mounted.



Box

The box is inserted parallel to the chassis frame and secured at the top with the buckle "S".



Cover

First, attach the cover to the back of the box and fix it to the lugs provided. Then raise the entire cover and draw it into its correct position.
 You can now fasten the lashing straps to the lugs provided.



6

Using your Shopper

Chassis



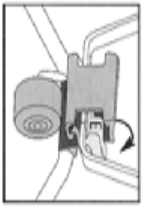
The basic chassis or frame, comprising a combination of aluminum tubes and a number of different plastic parts, provides an optimal platform for various application possibilities. The bumper can be adjusted to the height of the user by a push-in and pull-out action.

Box and cover



The box is to be considered an independent component with impressive multifunctionality and simplicity. The cover can be opened in two different positions. It can also be opened fully, using the provided loop with fastening tape.

Support / Third leg

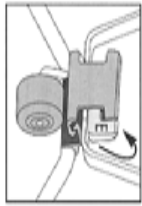


Swing-out
To pull out the support, briefly press your foot on the spring plate.

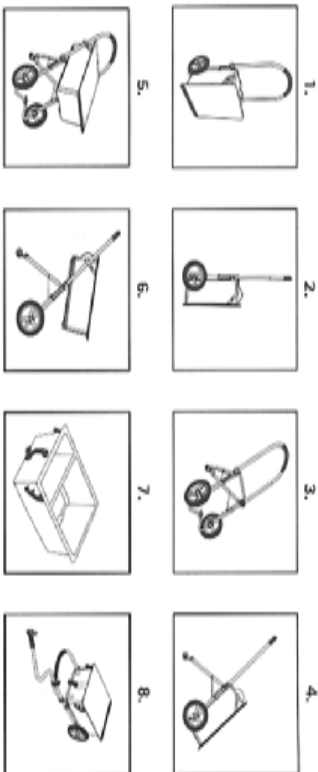
Swing-in
Lift the shopping caddy slightly and gently swing the support in. A perceptible click indicates that the support is correctly engaged. Check that the third leg is firmly in place.

"Eccentric" safety element (E)

- Fig A:**
- For daily use, the eccentric is in the lower end position.
 - 3rd leg unsecured, held.
- Fig B:**
- For use as a bike trailer (B), the eccentric is snapped in vertically.



Different possibilities for use



Maintenance

All linkages and moving parts are maintenance-free.
Note: If any lubrication should be necessary, use only oils with a silicon base.

Care

To clean, use only water with washing-up liquid and a soft cloth or sponge.
Warning: To avoid material damage, never use a cleaning agent with an abrasive effect or those containing solvents such as acetone, toluene, etc.